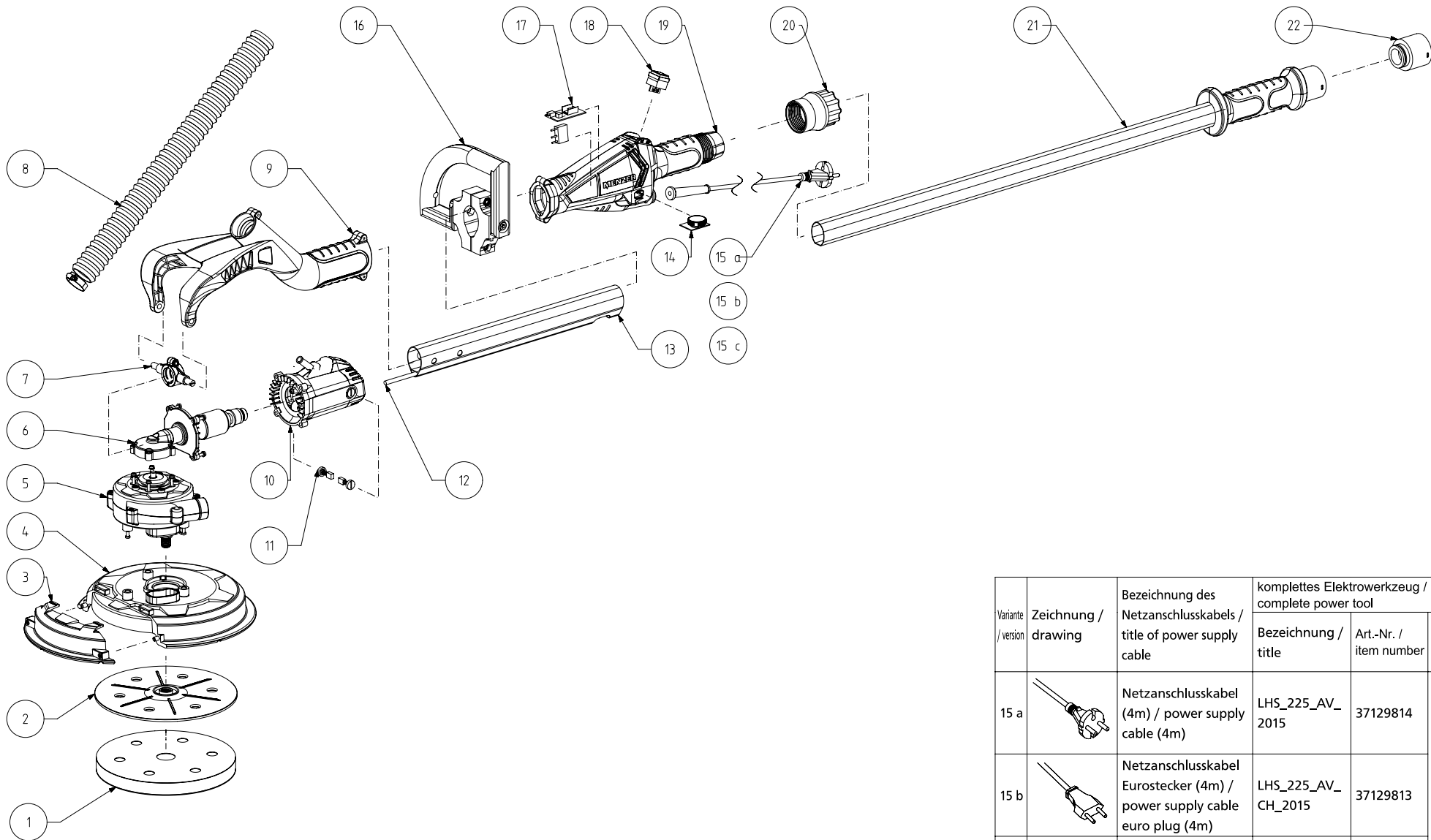


MENZER LHS 225 AV

Position	Name	Pcs. per unit
1	hook & loop backing pad (225mm) soft	1
2	driving plate (225mm) change-pad	1
3	removable grinding head front 3 (225mm)	1
4	driving plate cover 4 (225mm)	1
5	auto vacuum 3	1
6	armature (710W)	1
7	clamps	1
8	vacuum hose set 4	1
9	rocker arm BASE	1
10	stator 1 BASE	1
11	carbon brush 1	1
12	motor connecting wire (H05VV-F, 3x0,75mm ²)	1
13	main tube 2	1
14	speed controller BASE	1
15a	power supply cable (4m)	1
15b	power supply cable euro plug (4m)	1
15c	power supply cable CW SK II (4m)	1
16	extra handle	1
17	electronic 1	1
18	on/off switch with dust protection	1
19	timing case BASE	1
20	fixing nut BASE	1
21	telescoping tube 2 BASE	1
22	lock connector	1
23	carrier bag 1	1
24	auto vacuum kit	1
25	MENZER dust bag	5
26	vacuum hose 1,5m	1



Variante / version	Zeichnung / drawing	Bezeichnung des Netzanschlusskabels / title of power supply cable	komplettes Elektrowerkzeug / complete power tool		
			Bezeichnung / title	Art.-Nr. / item number	Zeichnungsnr. / drawing number
15 a		Netzanschlusskabel (4m) / power supply cable (4m)	LHS_225_AV_2015	37129814	0111-B02-xx-xxxxxx
15 b		Netzanschlusskabel Eurostecker (4m) / power supply cable euro plug (4m)	LHS_225_AV_CH_2015	37129813	
15 c		Netzanschlusskabel CW SK II (4m) / power supply cable CE SK II (4m)	LHS_225_AV_UK_230_V_2015	37129812	
A	20.05.2015	Erstellung	AR	MB	
Version / version	Datum / date	Änderungsgrund / reason for changes	Bearbeiter / processed by	Freigegeben durch / approved by	
gesetzlicher Eigentümer / legitimate owner		Titel / title		LHS_225_AV_2015	
MENZER		Zeichnungsnummer / drawing number		0111-B02-06-000001	
		Artikelnummer / item number		37129814	