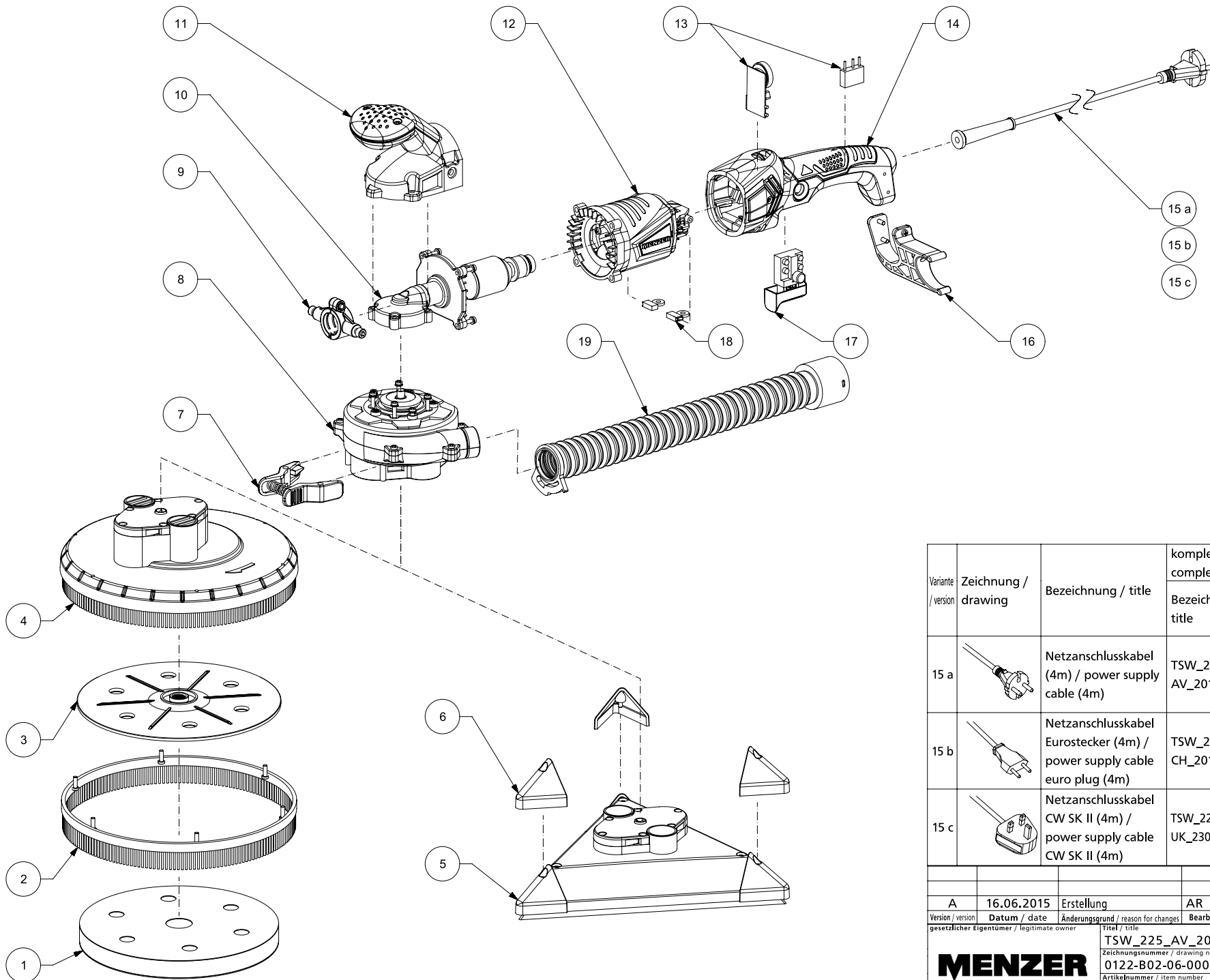


MENZER TSW 225 AV

Position	Name	Pcs. per unit
1	hook & loop backing pad (225mm) soft	1
2	brush ring (225mm) 1-part	1
3	driving plate (225mm) change-pad	1
4	grinding head round (225mm)	1
5	grinding head triangular (250x290mm)	1
6	protection caps grinding head triangular	1
7	operating lever grinding heads	1
8	auto vacuum 2	1
9	clamps	1
10	armature (710W)	1
11	handle 2 BASE	1
12	stator 2 BASE	1
13	electronic 3	1
14	shell type handle BASE	1
15a	power supply cable (4m)	1
15b	power supply cable euro plug (4m)	1
15c	power supply cable CW SK II (4m)	1
16	vacuum hose retainer BASE	1
17	on/off push button switch	1
18	carbon brush 2	1
19	vacuum hose set 3	1
20	auto vacuum kit	1
21	MENZER dust bag	5
22	vacuum hose 1,5m	1



Variante / version	Zeichnung / drawing	Bezeichnung / title	komplettes Elektrowerkzeug / complete power tool			
			Bezeichnung / title	Art.-Nr. / item number	Zeichnungs nr. / drawing number	
15 a		Netzanschlusskabel (4m) / power supply cable (4m)	TSW_225_AV_2015	37126005		
15 b		Netzanschlusskabel Eurostecker (4m) / power supply cable euro plug (4m)	TSW_225_AV_CH_2015	37129838	0122-B02-x x-xxxxxx	
15 c		Netzanschlusskabel CW SK II (4m) / power supply cable CW SK II (4m)	TSW_225_AV_UK_230_V_2015	37129836		
A	16.06.2015	Erstellung	AR	RB		
Version / version		Datum / date	Änderungsgrund / reason for changes		Bearbeiter / processed by	Freigegeben durch / approved by
gesetzlicher Eigentümer / legitimate owner		Titel / title				
MENZER		TSW_225_AV_2015				
		Zeichnungsnummer / drawing number				
		0122-B02-06-000001				
		Artikelnummer / item number				
		37126005				