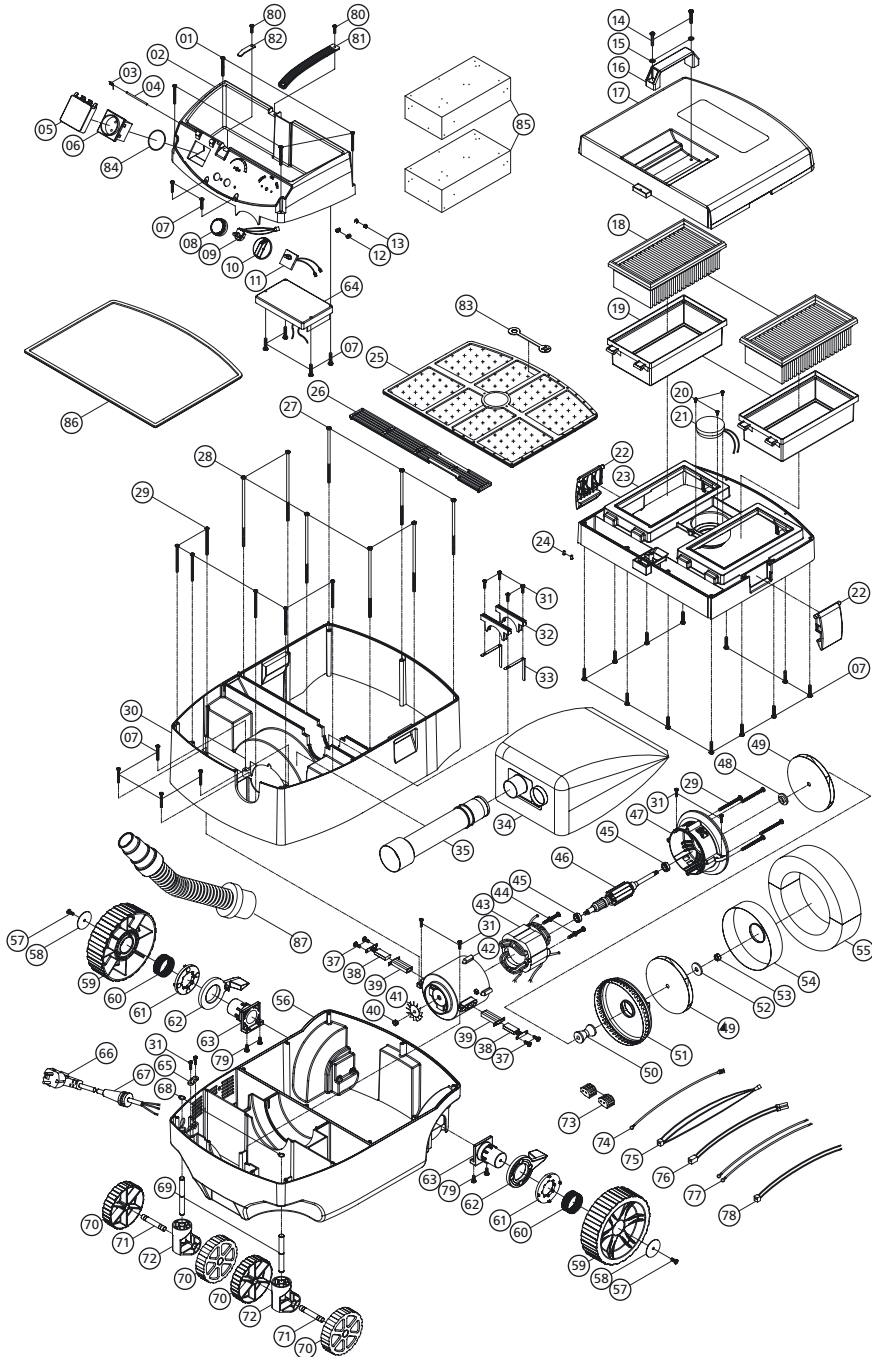


# MENZER VC 790 PRO EXPLODED ASSEMBLY DRAWING



# MENZER VC 790 PRO PARTS LIST

Nr.	Designation	Assembly
1	M4x35 screw	505A
2	Cover plate	505A
3	0.7x2.5x21L torsion spring	503
4	Hing pin, Ø2.3x60	503
5	Hinged cover	503
6	Socket	503
7	M4x25 screw	504A, 505A, 509
8	Suction regulator knob	505A, 506
9	Resistance regulator	505A, 506
10	Switch knob	505A, 507
11	Main switch - 3 positions	505A, 507
12	0.5x4x7.5L spring	505A
13	E-4 E-spring	505A
14	M5x20 screw	504A
15	M5 washer	504A
16	Handle	504A
17	Tank cover	504A
18	Pleated main filter	18
19	Filter housing	504A
20	M4x5 screw	504A
21	Filter vibration unit	504A
22	Catch	22, 504A
23	Main tank cover	504A
24	Conductor pin	504A
25	Diaphragm filter	512
26	Suction vent cover	508A
27	M5x125 screw	508A
28	M5x140 screw	508A
29	M4x55 screw	508A
30	Housing	508A
31	M4x16 screw	508A, 510
32	Mounting bracket	508A
33	Coopper strip for overflow switch	508A
34	Cloth dust bag with velcro	34
35	Hose connection	508A
37	M4x12 screw	500
38	Carbon brush	38, 500
39	Carbon brush holder	500
40	M6 hexagonal nut	500
41	Fan	500
42	Engine housing	500
43	Stator	500
44	M5x60 stator screw	500

Nr.	Designation	Assembly
45	6200-2RS ball bearing	500
46	Rotor	500
47	Front engine cover	500
48	Small spacer	500
49	Drive wheel	500
50	Large spacer	500
51	Outlet housing	500
52	8x25x2 washer	500
53	M8 hexagonal nut	500
54	Intake housing	500
55	Foam insulation	500, 508A, 510
56	Chassis	510
57	M6x12 screw	502
58	6.5x40x2.5 washer	502
59	Rear wheel	502
60	2x41.5x4x22.6L spring	502
61	Wheel hub nut	502
62	Flat wheel clamping lever	502
63	Rear axle	502
64	Electronic module	509
65	Strain relief clip	510
66	Connection cable with connector	511
67	Anti-kink sleeve	511
68	S-10 snap ring	501
69	Castor axle	501
70	Front wheel	501
71	Axle shaft	501
72	Chassis	501
73	Three-wire connection	505A
74	Earthing cable	505A, 508A
75	Cable for suction control	505A, 506
76	Cable for filter shaker	505A
77	Cable for device switch	505A, 507
78	Cable for overflow switch	505A
79	M5x16 screw	502
80	M4x14 screw	505A
81	Hose strap	505A
82	Suspension belt	505A
83	Spring clamp	512
84	O-ring, Ø47.5x2	503
85	Wet filter sponge	85
86	Rubber seal	86, 508A
87	Vacuum hose 2,5m	87

Please use the numbers in the parts list to find out the right assembly which contains the needed spare part.